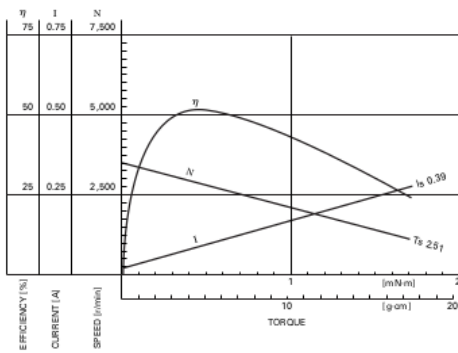


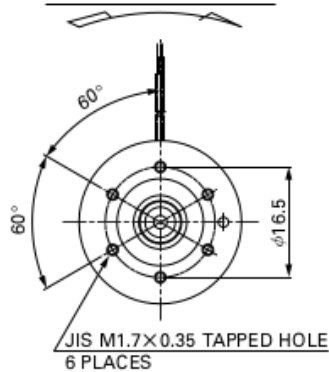
Silnik (RF-300FA)

MODEL	VOLTAGE		NO LOAD		AT MAXIMUM EFFICIENCY				STALL			
	OPERATING RANGE	NOMINAL	SPEED r/min	CURRENT A	SPEED r/min	CURRENT A	TORQUE mNm	OUTPUT g·cm	TORQUE mNm	OUTPUT g·cm	CURRENT A	
RF-300FA-12350	1.5-6.0	3V CONSTANT	3500	0.022	2830	0.093	0.48	4.9	0.14	2.51	26	0.39

RF-300FA-12350 3.0V



DIRECTION OF ROTATION



Źródła:

Ma Uchi Motor: RF-300FA

Biblioteki Eagle (Easily Applicable Graphical Layout Editor) V6.6.0 for Linux

Patryk Król

v1.4